

Safety

- Do not cover the ground contact.
- Do not cover the luminaire, hang or fasten anything from it.
- Do not operate if any visible damage can be seen to the product.
- Do not operate if any water ingress has occurred.
- Do not operate if any smoke, steam or crackling noises can be heard from the luminaire.
- Do not operate if any signs of overheating are recognised.
- Avoid installation in any areas where there is a risk of strong mechanical loads.
- Do not place any material over the lens or LED diode/chip.
- Do not insert objects into the luminaire.
- Do not clean using any solvent based abrasive or aggressive product.
- Do not pull any cables connected to the product.
- Do not direct the luminaire into a persons eyes, as this unit may have an intense light output, which if incorrectly used may cause eye damage.
- Light engines/LED'S and other light sources may heat up, please take care when handling the products.
- The manufacturer will not be deemed liable or held responsible for any damages caused by faults or manufacturing defects that may be present in any of its products or the misuse or incorrect installation of this device. Please refer to our trouble shooting guide for further information.
- The manufacturer will not be held liable for any death(s) or injuries caused by misuse or poor installation or any unreported faults of this product version or versions thereof.
- LED's are sensitive to electrostatic discharge. Do not touch the surface of the LED module.
- Do not connect to a temporary electricity supply, this may damage the electronics.
- Light fittings with an integrated emergency option are with a separate installation and wiring leaflet. Please refer to this manual for further details. If the manual is unavailable please contact an ALL LED representative for assistance.
- It is strongly recommended that a Residual-Current Device (RCD) is used with this product to minimise the risk of electrocution.
- REPLACE DAMAGED GLASS IMMEDIATELY.
- Keep away from children.
- Do not install in areas with; high acid rain, acidic soil, high salt content, coastal environments, high concentration of chemical substances.



INSTALLATION GUIDE & USER MANUAL AWLGU/WH/022



ENSURE POWER SUPPLY IS OFF WHEN HANDLING ANY ELECTRICAL EQUIPMENT.

- This product may need to be installed by a qualified electrical installer.
- Please read this guide in its entirety to fully understand the products before attempting any install.
- All electrical work should be completed in accordance with the latest IET regulations, and/or any other relevant rules, regulations or laws of the country in which it is being installed.
- The item must be installed in isolation from any insulating material and is adequately ventilated to prevent premature failure.
- Ensure power supply is isolated prior to installation, maintenance or performing any other form of electrical work.
- In the event of incorrect or improper function with specific regard to any of ALL LED's products and contact ALL LED for further advice.

Returns & Faulty Items

- If any problem is encountered during or after installation, please call ALL LED technical department to get the problem resolved ASAP.
- Please do not just return the item to the outlet you purchased it from, as you are only entitled to a replacement or refund after the unit has undergone testing and the unit has been confirmed as having a manufacturing defect/fault. Your statutory rights are not affected.
- The manufacturer will not be deemed liable or held responsible for any damages caused by faults or manufacturing defects that may be present in any of its products or the misuse or incorrect installation of this device. Please refer to our trouble shooting guide for further information.
- All goods are supplied under the terms and conditions of ALL LED LTD, a copy of which may be obtained upon written request.

Technical Specifications

Product Code	AWLGU/WH/022
MAX Wattage	2x 35W GU10 MAX.
Lamp holder	GU10 *
Lamp body Material	WHITE
Operating Temperature	-20°C ~+40°C
IP Rating	IP65

* Lamps not included

Notes

- Should you encounter any difficulties, please refer to the troubleshooting guide on the opposite page.
- Should you encounter any further difficulties with this product, please contact the ALL LED technical team.
- Should this product cease working, a replacement drive unit will be dispatched to try to solve the issue.
- Do not hold this product by the trailing lead, it may damage the integrity of the product.
- To change the lamp, disconnect power supply from the main source, allow lamps to cool, and follow steps 3-5 in the installation instructions above. Turn the power back on once finished and test the luminaire and lamp are correctly working.



ALL LED LTD
42 Sedgwick Road,
Luton, LU4 9DT

www.allledgroup.com
sales@allledgroup.com
Tel: +44 (0)208 841 9000



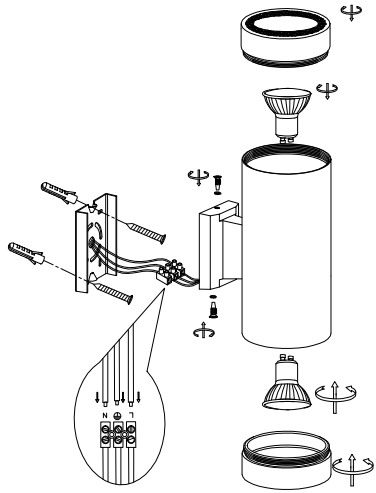
This product supplied with a limited 2 year guarantee, subject to terms and conditions. The manufacturer will not be deemed liable or held responsible for any damages caused by faults or manufacturing defects that may be present in any of its products or the misuse or incorrect installation of this device. Your statutory rights are not affected.



Environmental Protection
Waste electrical products should not be disposed of with household waste. Please recycle where facilities exist. Check with your Local Authority or retailer for recycling advice

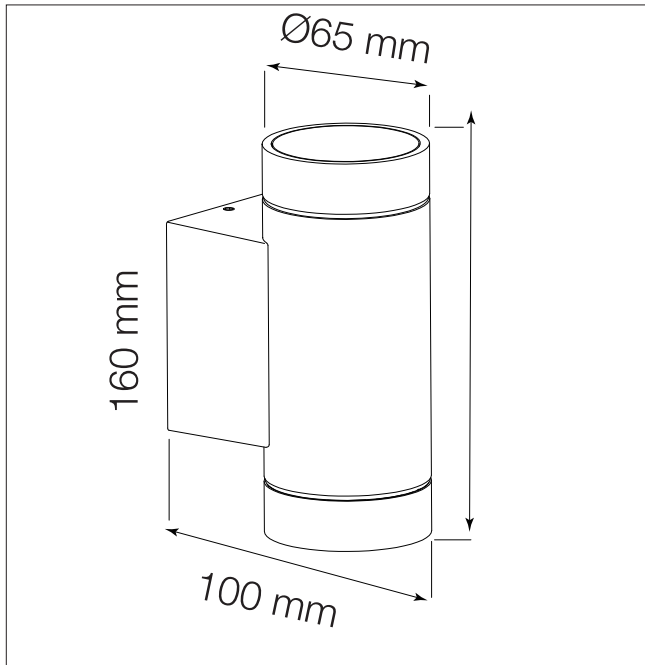


Installation Instructions



1. We recommend checking the installation with the products for suitability prior to installation.
2. Turn off power supply at source to avoid any risk of electric shock.
3. Remove the two small threaded screws on the top and bottom of the luminaire.
4. Affix the product using a suitable method and according to the material/ surface you intend to mount the product onto.
5. Wire the product into the wall in accordance with the most current/relevant wiring and/or electrical installations regulation.
6. Place the item carefully back onto its rear bracket, ensure all wires are clear of any seals and will not get caught in between the luminaire and the bracket. Tighten the threaded nuts that were removed in step 3 to secure the luminaire on to the bracket.
7. Double check the threaded nuts are adequately tightened as the seal is pressure sensitive. Take care not to overtighten. Turn the power back on and test the luminaire is functioning as it should.

Dimensions (mm)



Trouble Shooting Guide

PROBLEM	CAUSE(S)	SOLUTION(S)
No Light Coming From Luminaire	No power to drive components	A qualified installer/electrician should check the Primary voltage side of the product to check the input voltage.
	Loose connection on circuit	Ensure continuous and correct connection between terminals.
	Lamp Issues.	Ensure lamp is correctly working, has a GU10 base and is not blown or incompatible with this luminaire.
	Lamp Holder Incorrectly Functioning.	These cases are rare and the item may need replacement and/or investigation as to the cause of failure.



ATTENTION

IF ANY PROBLEMS PERSIST, PLEASE CALL THE ALL LED TECHNICAL DEPARTMENT FOR FURTHER ASSISTANCE.